

O470 NEW



DETENT HINGE WITH PRESET POSITIONS AND HOLE COVER CAP

Material:

Reinforced polyamide. Resistant to oils and greases.

Surface finish:

Satin.

Colour:

Black (RAL 9011).

Inserts:

Stainless steel thrust and lock springs (Aisi 302).

(1) Pin cap in black PA6.

(2) Hole cover cap in black PA6.

Hole:

Through hole obtained by moulding the plastic, for screw M05.

Pivot pin:

Pivot pin in reinforced PA6 polyamide.

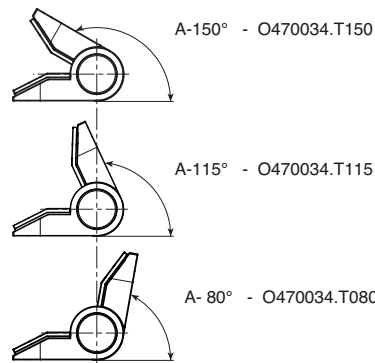
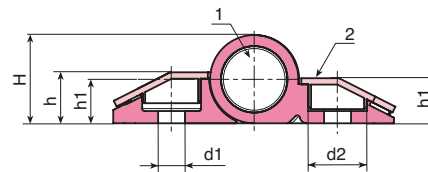
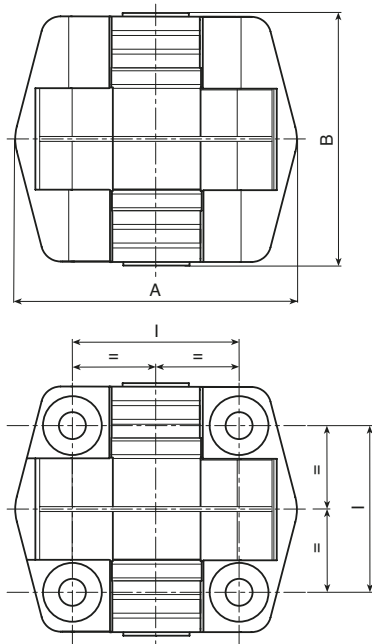
Preset positions:

The springs that act on the pivot pin have three torque calibrations: 0.7 Nm, 1.1 Nm and 1.47 Nm. The detent positions are: 80° - 115° - 150°.

ATTENTION: a version of the hinge without springs with free movement to 180° is also available (code O470034.TG5.501).

SPECIAL REQUESTS:

- None.



art.	l	A°	Nm	A	B	H	h	h1	d1	d2	g
0470034.TG5.501	34	-	-	51	57	18	10	9	5,5	10,5	43
O470034.T080G5.501N0.7	34	80°	0,7	51	57	18	10	9	5,5	10,5	43
O470034.T080G5.501N1.1	34	80°	1,1	51	57	18	10	9	5,5	10,5	43
O470034.T080G5.501N1.7	34	80°	1,7	51	57	18	10	9	5,5	10,5	43
O470034.T115G5.501N0.7	34	115°	0,7	51	57	18	10	9	5,5	10,5	43
O470034.T115G5.501N1.1	34	115°	1,1	51	57	18	10	9	5,5	10,5	43
O470034.T115G5.501N1.7	34	115°	1,7	51	57	18	10	9	5,5	10,5	43
O470034.T150G5.501N0.7	34	150°	0,7	51	57	18	10	9	5,5	10,5	43
O470034.T150G5.501N0.7	34	150°	1,1	51	57	18	10	9	5,5	10,5	43
O470034.T150G5.501N0.7	34	150°	1,7	51	57	18	10	9	5,5	10,5	43