

O510 NEW



VERTICAL ZAMAK HINGE WITH EXTENSION

Material:
(1-2-5) Die-cast zamak alloy (zinc, aluminium and copper alloy).

Surface finish:
Light sandblasting.

Colour:
(01) Black epoxy powder coated, (RAL 9011).
(Z) Standard blue galvanising.

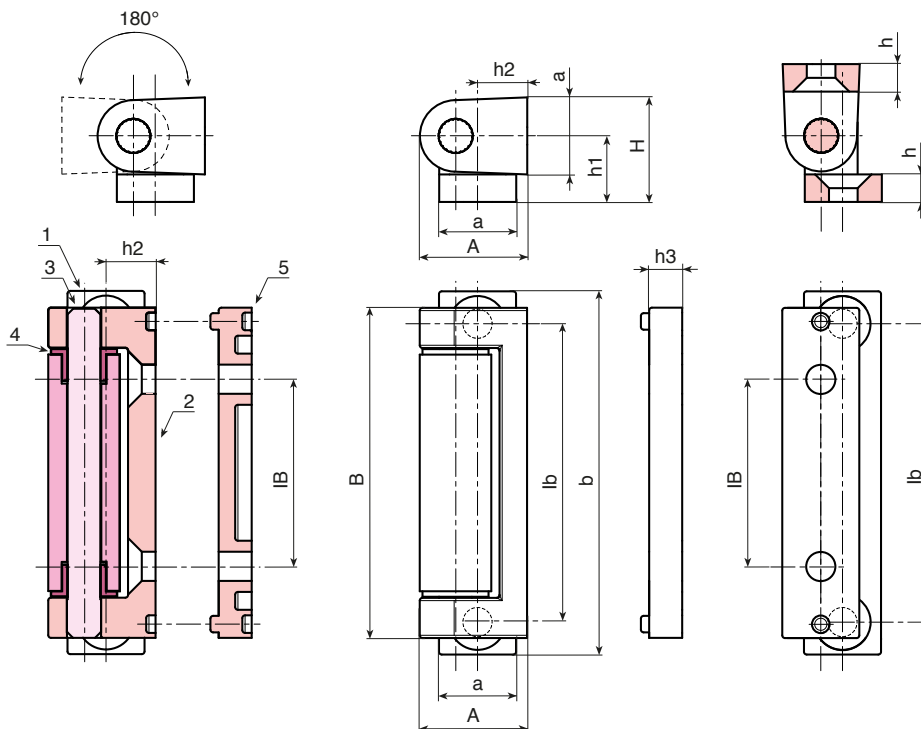
Inserts:
(3) Stainless steel (Aisi 304) hinge pivot pin.
(4) Natural PA6 spacer bush.

Holes:
Through holes obtained by moulding. 90° counter-sunk hole for M05 screws UNI 5933 - UNI 6109.

SPECIAL REQUESTS:

- It is possible to order, separately, an additional thickness of 6 mm in black using code no. O51160.ZG05.501; or zinc plated using code no. O51160.ZG05.5Z.

ATTENTION: The hinge is delivered with the pivot pin unassembled, as it must be removed in any case before mounting on the door



Black coated version code **01**

art.	lb	lB	A	a	B	b	H	h	h1	h2	h3	d1	g
O510054.ZG05.501	54	34	19,5	14	60	66	19	5	12,5	9	6	5,3	111

Galvanised version code **Z**

art.	lb	lB	A	a	B	b	H	h	h1	h2	h3	d1	g
O510054.ZG05.5Z	54	34	19,5	14	60	66	19	5	12,5	9	6	5,3	111

Presumable presence in the stock in % **90%** **40%** **5%**