

# KNURLED HANDWHEELS



**BOTECO<sup>®</sup>**

**ALL PURPOSE HANDGRIPS**

# ART. H765

## KNURLED HOLLOWED HANDWHEEL WITH THREADED THROUGH HOLE INSERT

**MATERIAL:**

Reinforced polyamide.  
Oils and greases resistant.

**SURFACE:**

Satin.

**COLOUR:**

Black (RAL 9011).

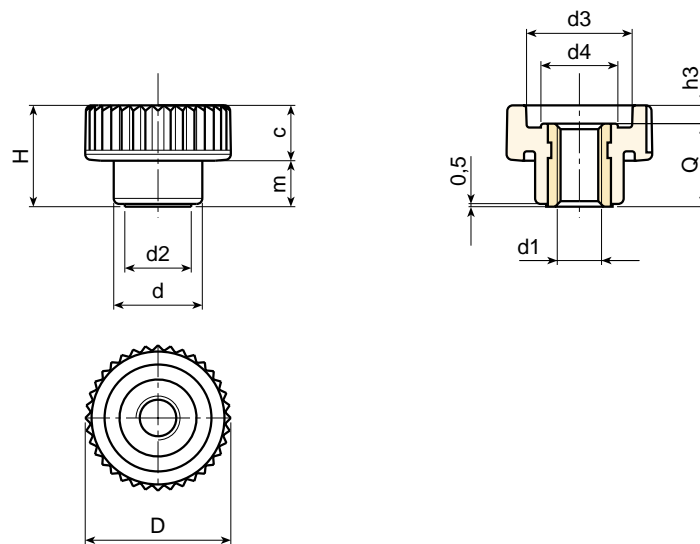
**MAIN INSERT:**

Brass right through threaded bush.



**SPECIAL REQUESTS:**

- It is possible to supply the inserts in different materials, on request and for quantities.
- It is possible to supply colours as shown in the table at page 19, on request and for quantities.



Art.	D	H	d	m	c	d2	d3	d4	h3	d1	Q	Weight (gr)
H765-15 M04	15	10,5	10	4,5	6	8	10	7,5	2	M4	8,5	2
H765-15 M05	15	10,5	10	4,5	6	8	10	7,5	2	M5	8,5	2
H765-21 M05	21	15	13	6,5	8,5	9,5	15	10,5	2,5	M5	12,5	5
H765-21 M06	21	15	13	6,5	8,5	9,5	15	10,5	2,5	M6	12,5	5
H765-26 M06	26	18	16	8,5	9,5	12	19	13	3	M6	15	10
H765-26 M08	26	18	16	8,5	9,5	12	19	13	3	M8	15	10
H765-33 M08	32	23	20	10,5	12,5	15	23	16	5	M8	18	16
H765-33 M10	32	23	20	10,5	12,5	15	23	16	5	M10	18	16
H765-40 M08	40	28	25	12,5	15,5	18	28	21	6	M08	22	31
H765-40 M10	40	28	25	12,5	15,5	18	28	21	6	M10	22	32
H765-40 M12	40	28	25	12,5	15,5	18	28	21	6	M12	22	32
H765-40 M14	40	28	25	12,5	15,5	18	28	21	6	M14	22	34

# ART. H766

## KNURLED HOLLOWED HANDWHEEL WITH THREADED STUD

**MATERIAL:**

Reinforced polyamide.  
Oils and greases resistant.

**SURFACE:**

Satin.

**COLOUR:**

Black (RAL 9011).

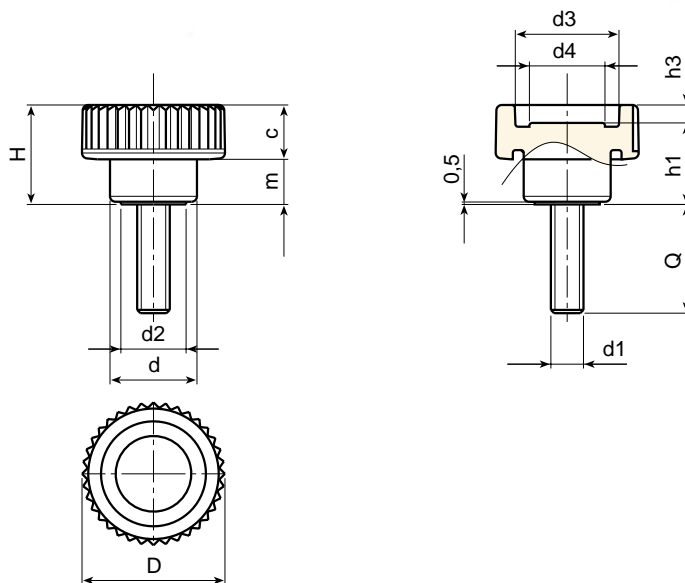
**MAIN INSERT:**

Zinc plated steel threaded stud.



**SPECIAL REQUESTS:**

- It is possible to supply the inserts with different lengths, on request and for quantities.
- It is possible to supply the inserts in different materials, on request and for quantities.
- It is possible to supply colours as shown in the table at page 19, on request and for quantities.



Art.	D	H	d	m	c	d2	d3	d4	h1	h3	d1	Q	Weight (gr)
H766-15 M04	15	10,5	10	4,5	6	8	10	7,5	8,5	2	M4	10-16-20	2,5-3-3
H766-15 M05	15	10,5	10	4,5	6	8	10	7,5	8,5	2	M5	10-16-20	4-4,5-5
H766-21 M05	21	15	13	6,5	8,5	9,5	15	10,5	12,5	2,5	M5	10-16-20-30	6,5-6,5-7,5-9,5
H766-21 M06	21	15	13	6,5	8,5	9,5	15	10,5	12,5	2,5	M6	10-16-20-30-40	7,5-8,5-9-11-12
H766-26 M06	26	18	16	8,5	9,5	12	19	13	15	3	M6	10-16-20-30-40	10-11-11-13,5-15
H766-26 M08	26	18	16	8,5	9,5	12	19	13	15	3	M8	16-20-30-40-50	15,5-16,5-19,5-23-26,5
H766-33 M08	32	23	20	10,5	12,5	15	23	16	18	5	M8	16-20-30-40	21-24-30-28,5
H766-33 M10	32	23	20	10,5	12,5	15	23	16	18	5	M10	20-30-40-50	30-30,5-35,5-41
H766-40 M08	40	28	25	12,5	15,5	18	28	21	22	6	M08	16-20-30-40	36-38-41-44
H766-40 M10	40	28	25	12,5	15,5	18	28	21	22	6	M10	20-30-40-50	42-48-54-59
H766-40 M12	40	28	25	12,5	15,5	18	28	21	22	6	M12	20-30-40-50	56-63-70-77
H766-40 M14	40	28	25	12,5	15,5	18	28	21	22	6	M14	20-30-40-50	70-80-90-100



**BOTECO**

# ART. H767

## KNURLED HOLLOWED HANDWHEEL WITH THREADED BLIND INSERT

**MATERIAL:**

Reinforced polyamide.  
Oils and greases resistant.

**SURFACE:**

Satin.

**COLOUR:**

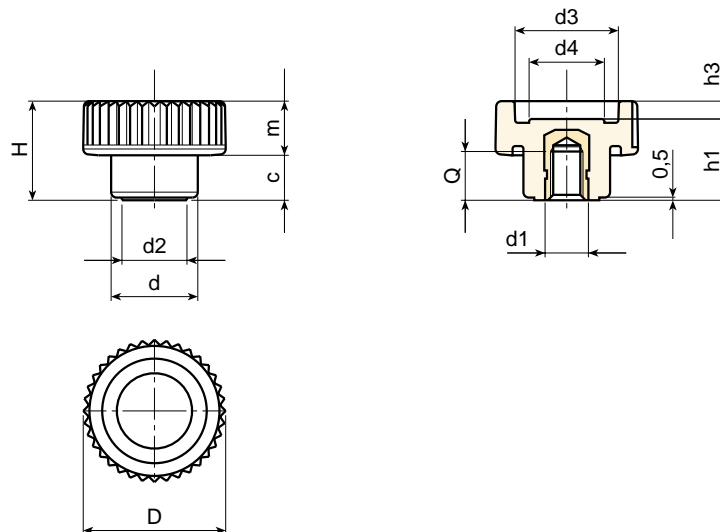
Black (RAL 9011).

**MAIN INSERT:**

Brass blind threaded bush.

**SPECIAL REQUESTS:**

- It is possible to supply the inserts in different materials, on request and for quantities.
- It is possible to supply colours as shown in the table at page 19, on request and for quantities.



Art.	D	H	d	m	c	d2	d3	d4	h1	h3	d1	Q	Weight (gr)
H767-21 M05	21	15	13	6,5	8,5	9,5	15	10,5	12,5	2,5	M5	7	5,5
H767-21 M06	21	15	13	6,5	8,5	9,5	15	10,5	12,5	2,5	M6	7	6
H767-26 M06	26	18	16	8,5	9,5	12	19	13	15	3	M6	9	8
H767-26 M08	26	18	16	8,5	9,5	12	19	13	15	3	M8	8	8,5
H767-33 M08	32	23	20	10,5	12,5	15	23	16	18	5	M8	11	15,5
H767-33 M10	32	23	20	10,5	12,5	15	23	16	18	5	M10	10	16
H767-40 M08	40	28	25	12,5	15,5	18	28	21	22	6	M08	14	27
H767-40 M10	40	28	25	12,5	15,5	18	28	21	22	6	M10	14	28
H767-40 M12	40	28	25	12,5	15,5	18	28	21	22	6	M12	12	29



**BOTECA**

# ART. H765 CIN

## KNURLED HOLLOWED HANDWHEEL WITH THREADED STAINLESS STEEL THROUGH HOLE INSERT

**INOX**

**MATERIAL:**

Reinforced polyamide.  
Oils and greases resistant.

**SURFACE:**

Satin.

**COLOUR:**

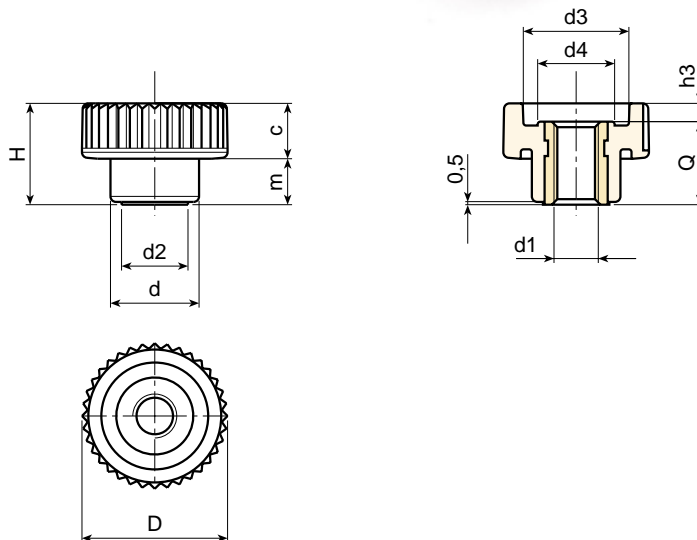
Black (RAL 9011).

**MAIN INSERT:**

Stainless steel right through threaded bush (AISI 303).

**SPECIAL REQUESTS:**

- It is possible to supply colours as shown in the table at page 19, on request and for quantities.



Art.	D	H	d	m	c	d2	d3	d4	h3	d1	Q	Weight (gr)
H765-15 M04 CIN	15	10,5	10	4,5	6	8	10	7,5	2	M4	8,5	3
H765-15 M05 CIN	15	10,5	10	4,5	6	8	10	7,5	2	M5	8,5	3
H765-21 M05 CIN	21	15	13	6,5	8,5	9,5	15	10,5	2,5	M5	12,5	6
H765-21 M06 CIN	21	15	13	6,5	8,5	9,5	15	10,5	2,5	M6	12,5	6
H765-26 M06 CIN	26	18	16	8,5	9,5	12	19	13	3	M6	15	11,5
H765-26 M08 CIN	26	18	16	8,5	9,5	12	19	13	3	M8	15	11,5
H765-33 M08 CIN	32	23	20	10,5	12,5	15	23	16	5	M8	18	18
H765-33 M10 CIN	32	23	20	10,5	12,5	15	23	16	5	M10	18	18
H765-40 M08 CIN	40	28	25	12,5	15,5	18	28	21	6	M08	22	32
H765-40 M10 CIN	40	28	25	12,5	15,5	18	28	21	6	M10	22	31
H765-40 M12 CIN	40	28	25	12,5	15,5	18	28	21	6	M12	22	34

KNURLED HANDWHEELS



**BOTECA**

# ART. H766 CIN

## KNURLED HOLLOWED HANDWHEEL WITH THREADED STAINLESS STEEL STUD

**INOX**

**MATERIAL:**

Reinforced polyamide.  
Oils and greases resistant.

**SURFACE:**

Satin.

**COLOUR:**

Black (RAL 9011).

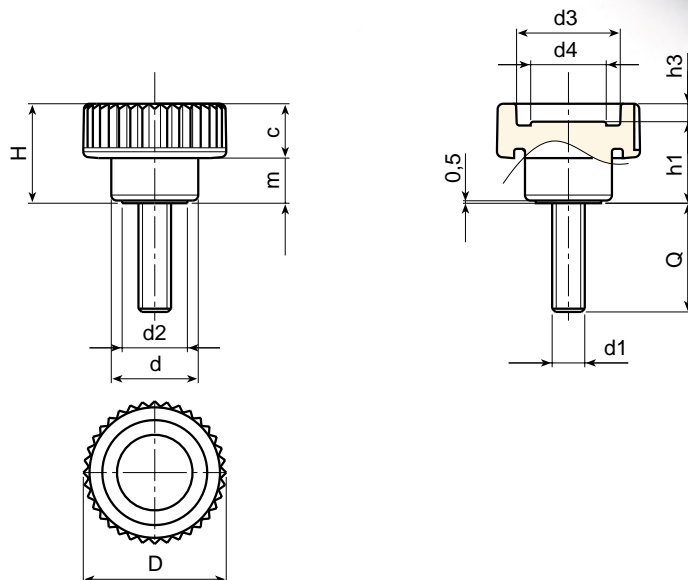
**MAIN INSERT:**

Stainless steel threaded stud (AISI 303).



**SPECIAL REQUESTS:**

- It is possible to supply the inserts with different lengths, on request and for quantities.
- It is possible to supply colours as shown in the table at page 19, on request and for quantities.



Art.	D	H	d	m	c	d2	d3	d4	h1	h3	d1	Q	Weight (gr)
H766-15 M04 CIN	15	10,5	10	4,5	6	8	10	7,5	8,5	2	M4	10-20	2,5-3
H766-15 M05 CIN	15	10,5	10	4,5	6	8	10	7,5	8,5	2	M5	16-20	4,5-5
H766-21 M05 CIN	21	15	13	6,5	8,5	9,5	15	10,5	12,5	2,5	M5	16-20-30	6,5-7-9,5
H766-21 M06 CIN	21	15	13	6,5	8,5	9,5	15	10,5	12,5	2,5	M6	20-30-40	9-11-12
H766-26 M06 CIN	26	18	16	8,5	9,5	12	19	13	15	3	M6	20-30-40	11-13,5-15
H766-26 M08 CIN	26	18	16	8,5	9,5	12	19	13	15	3	M8	20-30-40	16,5-21-23
H766-33 M08 CIN	32	23	20	10,5	12,5	15	23	16	18	5	M8	20-30-40	24-30-28,5
H766-33 M10 CIN	32	23	20	10,5	12,5	15	23	16	18	5	M10	20-30-40	30-30,5-35,5
H766-40 M08 CIN	40	28	25	12,5	15,5	18	28	21	22	6	M08	20-30-40	41-43-47
H766-40 M10 CIN	40	28	25	12,5	15,5	18	28	21	22	6	M10	20-30-40	43-52-57
H766-40 M12 CIN	40	28	25	12,5	15,5	18	28	21	22	6	M12	20-30-40	60-67-74
H766-40 M14 CIN	40	28	25	12,5	15,5	18	28	21	22	6	M14	20-30-40	75-85-95



**BOTECA**

# ART. H753

## SOLID KNURLED HANDWHEEL WITH THREADED STUD

**MATERIAL:**  
Reinforced polyamide.  
Oils and greases resistant.

**SURFACE:**  
Satin.

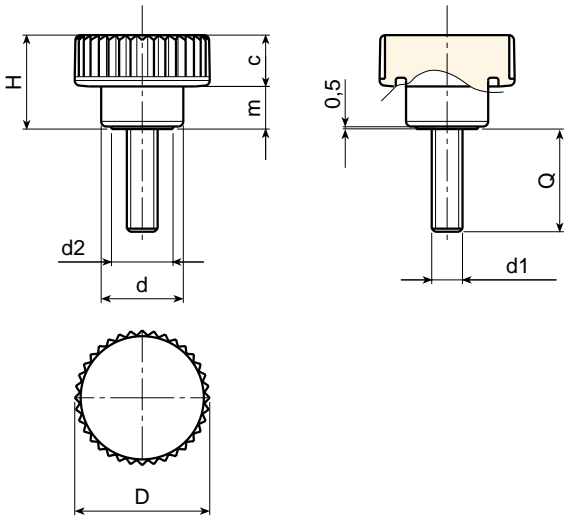
**COLOUR:**  
Black (RAL 9011).

**MAIN INSERT:**  
Zinc plated steel threaded stud.



**SPECIAL REQUESTS:**

- It is possible to supply the inserts with different lengths, on request and for quantities.
- It is possible to supply the inserts in different materials, on request and for quantities.
- It is possible to supply colours as shown in the table at page 19, on request and for quantities.



Art.	D	H	d	m	c	d2	d1	Q	Weight (gr)
H753-26 M05	26	18	16	8,5	9,5	12	M05	16-20-25	9-9,5-10
H753-26 M06	26	18	16	8,5	9,5	12	M06	16-20-25-30	9,5-10-10,5-11,5
H753-26 M08	26	18	16	8,5	9,5	12	M08	20-30-40	9,5-12,5-15

KNURLED HANDWHEELS

# ART. H757

## SOLID KNURLED HANDWHEEL WITH THREADED BLIND INSERT

**MATERIAL:**

Reinforced polyamide.  
Oils and greases resistant.

**SURFACE:**

Satin.

**COLOUR:**

Black (RAL 9011).

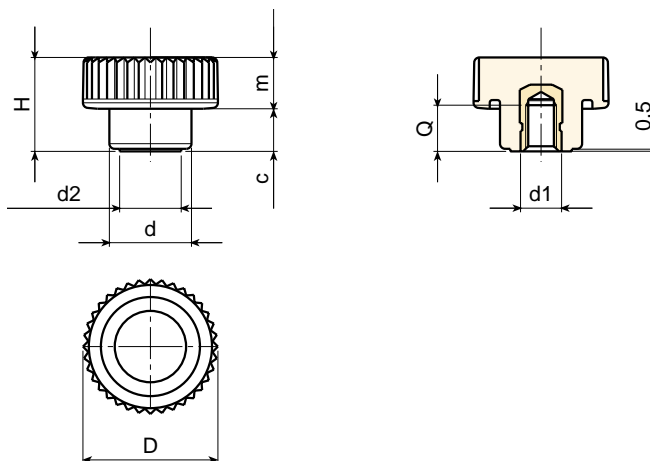
**MAIN INSERT:**

Brass blind threaded bush.



**SPECIAL REQUESTS:**

- It is possible to supply the inserts in different materials, on request and for quantities.
- It is possible to supply colours as shown in the table at page 19, on request and for quantities.



Art.	D	H	d	m	c	d2	d1	Q	Weight (gr)
H757-26 M05	26	18	16	8,5	9,5	12	M05	6	9
H757-26 M06	26	18	16	8,5	9,5	12	M06	9	10
H757-26 M08	26	18	16	8,5	9,5	12	M08	8	11



**BOTECO**





# ART. H759

## KNURLED HANDWHEEL WITH HUB AND THREADED STUD

**MATERIAL:**

Reinforced polyamide.  
Oils and greases resistant.

**SURFACE:**

Satin.

**COLOUR:**

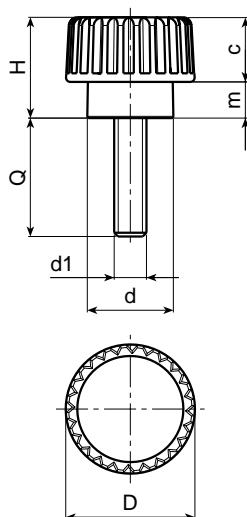
Black (RAL 9011).

**MAIN INSERT:**

Zinc plated steel threaded stud.

**SPECIAL REQUESTS:**

- It is possible to supply the inserts with different lengths, on request and for quantities.
- It is possible to supply the inserts in different materials, on request and for quantities.
- It is possible to supply colours as shown in the table at page 19, on request and for quantities.



Art.	D	H	d	m	c	d1	Q	Weight (gr)
H759-15 M03	15	12	10	4,5	7,5	M3	24	3,5
H759-15 M04	15	12	10	4,5	7,5	M4	10-16-20-30	3,5-4-4-4,5
H759-15 M05	15	12	10	4,5	7,5	M5	10-16-20-30	4-4,5-5,5-6,5
H759-15 M06	15	12	10	4,5	7,5	M6	10-16-20-30	5-6-7,5-9



**BOTECO**



# ART. H770

## KNURLED KNOB WITH THREADED BLIND INSERT

**MATERIAL:**

Reinforced polyamide.  
Oils and greases resistant.

**SURFACE:**

Satin.

**COLOUR:**

Black (RAL 9011).

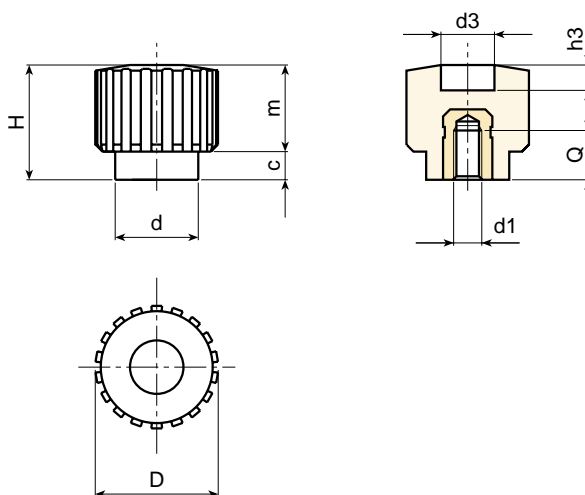
**MAIN INSERT:**

Brass blind threaded bush.



**SPECIAL REQUESTS:**

- It is possible to supply the inserts in different materials, on request and for quantities.
- It is possible to supply colours as shown in the table at page 19, on request and for quantities.



Art.	D	H	d	m	c	d3	h3	Q	d1	Weight (gr)
H770-18 M04	17,5	17,5	12	4	13,5	9	5	7	M4	5
H770-18 M05	17,5	17,5	12	4	13,5	9	5	7	M5	5
H770-18 M06	17,5	17,5	12	4	13,5	9	5	7	M6	5



**BOTECO**

# ART. H771

## KNURLED KNOB WITH THREADED STUD

**MATERIAL:**  
Reinforced polyamide.  
Oils and greases resistant.

**SURFACE:**  
Satin.

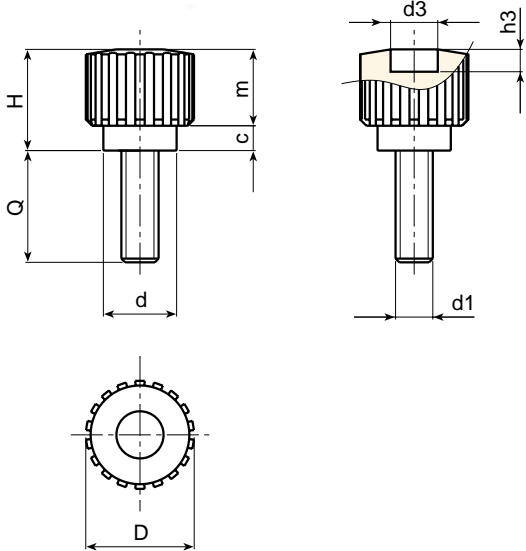
**COLOUR:**  
Black (RAL 9011).

**MAIN INSERT:**  
Zinc plated steel threaded stud.



**SPECIAL REQUESTS:**

- It is possible to supply the inserts with different lengths, on request and for quantities.
- It is possible to supply the inserts in different materials, on request and for quantities.
- It is possible to supply colours as shown in the table at page 19, on request and for quantities.



Art.	D	H	d	m	c	d3	h3	d1	Q	Weight (gr)
H771-18 M04	17,5	17,5	12	4	13,5	9	5	M4	10-16-25-30	5-5-7-7,5
H771-18 M05	17,5	17,5	12	4	13,5	9	5	M5	10-16-25-30	6,5-7-8-8,5
H771-18 M06	17,5	17,5	12	4	13,5	9	5	M6	10-16-25-30	8-8,5-9,5-10

KNURLED HANDWHEELS



BOTECA

# ART. H772

## KNURLED KNOB WITH THREADED THROUGH HOLE INSERT

**MATERIAL:**

Reinforced polyamide.  
Oils and greases resistant.

**SURFACE:**

Satin.

**COLOUR:**

Black (RAL 9011).

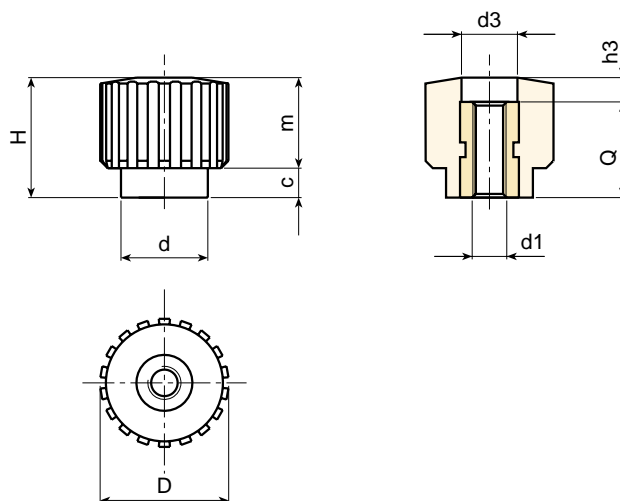
**MAIN INSERT:**

Brass right through threaded bush.



**SPECIAL REQUESTS:**

- It is possible to supply the inserts in different materials, on request and for quantities.
- It is possible to supply colours as shown in the table at page 19, on request and for quantities.



Art.	D	H	d	m	c	d3	h3	Q	d1	Weight (gr)
H772-18 M04	17,5	17,5	12	4	13,5	9	4,5	13	M4	5,5
H772-18 M05	17,5	17,5	12	4	13,5	9	4,5	13	M5	5,5
H772-18 M06	17,5	17,5	12	4	13,5	9	4,5	13	M6	5,5



**BOTECO**

# ART. H773

## KNURLED KNOB WITH SCREWDRIVER SLOT AND THREADED BLIND INSERT

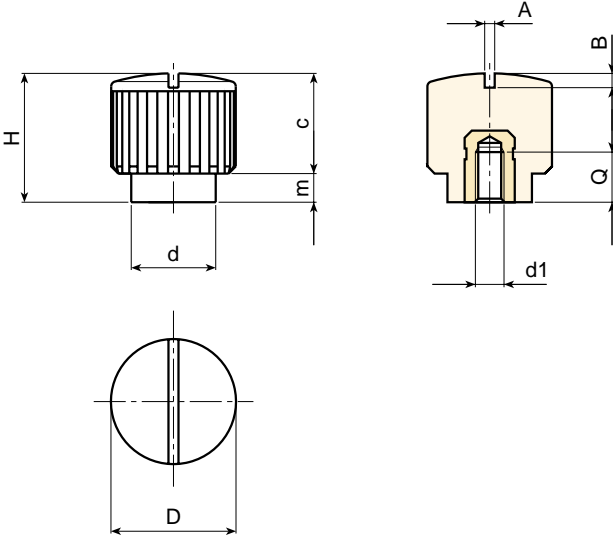
**MATERIAL:**  
Reinforced polyamide.  
Oils and greases resistant.

**SURFACE:**  
Satin.

**COLOUR:**  
Black (RAL 9011).

**MAIN INSERT:**  
Brass blind threaded bush.

- SPECIAL REQUESTS:**
- It is possible to supply the inserts in different materials, on request and for quantities.
  - It is possible to supply colours as shown in the table at page 19, on request and for quantities.



Art.	D	H	d	m	c	A	B	Q	d1	Weight (gr)
H773-18 M04	17,5	18	12	4	14	1,2	1,5	7	M4	6,5
H773-18 M05	17,5	18	12	4	14	1,2	1,5	7	M5	7
H773-18 M06	17,5	18	12	4	14	1,2	1,5	7	M6	7

KNURLED HANDWHEELS

# ART. H774

## KNURLED KNOB WITH SCREWDRIVER SLOT AND THREADED STUD

**MATERIAL:**

Reinforced polyamide.  
Oils and greases resistant.

**SURFACE:**

Satin.

**COLOUR:**

Black (RAL 9011).

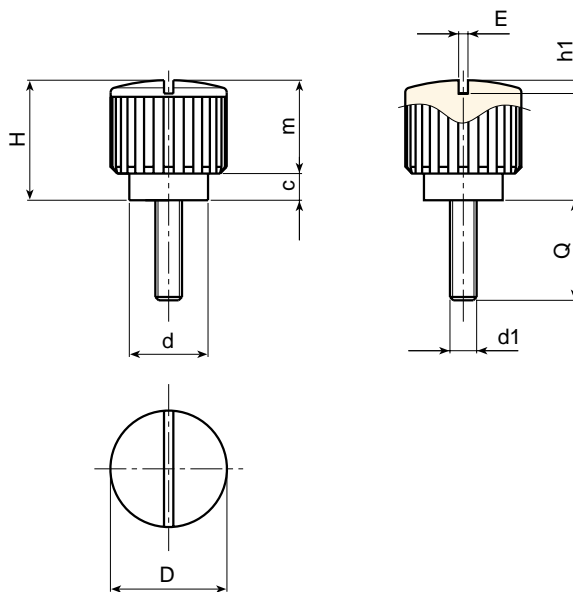
**MAIN INSERT:**

Zinc plated steel threaded stud.



**SPECIAL REQUESTS:**

- It is possible to supply the inserts with different lengths, on request and for quantities.
- It is possible to supply the inserts in different materials, on request and for quantities.
- It is possible to supply colours as shown in the table at page 19, on request and for quantities.



Art.	D	H	d	m	c	A	B	d1	Q	Weight (gr)
H774-18 M04	17,5	18	12	4	14	1,2	1,5	M4	16-20-30	6-6,5-8
H774-18 M05	17,5	18	12	4	14	1,2	1,5	M5	16-20-30	7,5-8-9
H774-18 M06	17,5	18	12	4	14	1,2	1,5	M6	16-20-30	9-9,5-10,5



**BOTECO**





# ART. H171

## KNURLED HANDWHEEL WITH SHORT HUB AND THREADED STUD



**MATERIAL:**

Reinforced polyamide.  
Oils and greases resistant.

**SURFACE:**

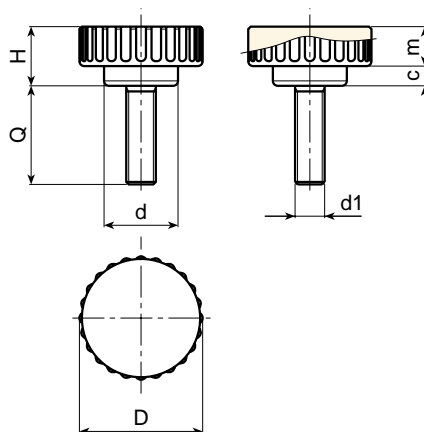
Satin.

**COLOUR:**

Black (RAL 9011).

**MAIN INSERT:**

Zinc plated steel threaded stud.



**SPECIAL REQUESTS:**

- It is possible to supply the inserts with different lengths, on request and for quantities.

Art.	D	H	d	m	c	d1	Q	Weight (gr)
H171-25 M06	25	12	15,5	4	8	M6	10-20-30-40	14-15-16-17,5
H171-25 M08	25	12	15,5	4	8	M8	16-20-30-40	14,5-15,5-16-18

# ART. H171 CON

## KNURLED HANDWHEEL WITH SHORT HUB AND THREADED BLIND INSERT



**MATERIAL:**

Reinforced polyamide.  
Oils and greases resistant.

**SURFACE:**

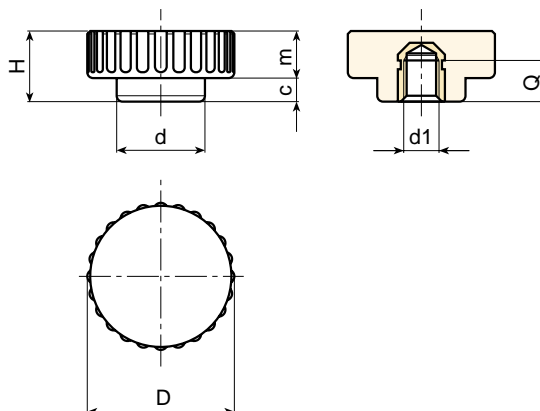
Satin.

**COLOUR:**

Black (RAL 9011).

**MAIN INSERT:**

Brass blind threaded bush.



**SPECIAL REQUESTS:**

- None.

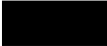


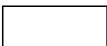









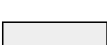


Art.	D	H	d	m	c	Q	d1	Weight (gr)
H171-25 M06 CON	25	12	15,5	4	8	7	M6	7
H171-25 M08 CON	25	12	15,5	4	8	7	M8	8












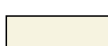


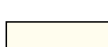

**BOTECA**

# COLOUR CHART

## R A L

COLOUR		RAL	CODE
Black		9011	01
Orange		2004	02
Orange		2011	03
White		9010	04
Blue		5002	05
Blue		5005	06
Blue		5015	07
Blue		5018	19
Blue		5019	21
Blue		5010	22
Yellow		1007	09
Yellow		1021	10
Grey		7024	12
Grey		7035	13
Red		3000	16
Green		6024	17

## O T H E R C O L O U R S

COLOUR		REF.	CODE
White		-	52
Blue		-	53
Blue		pant. 645 U	54
Blue		pant. 300	55
Grey		-	57
Grey		-	59
Grey		NCS 7500	60
Red		-	64
Red		-	65
Natural		-	66
Green		-	70
Brown		-	71
Cream		-	72
Violet		-	73





**BOTECO Spa** - 36010 ZANÈ (VI) ITALY  
Via L. Pettinà, 16 (side street of Via Cuso)  
P.O. BOX 63 36010 Zanè  
Switchboard Tel. ++39-0445.316411 - Fax ++39-0445.316400  
Sales Office Fax ++39-0445.316401  
Administration Fax ++39-0445.316402  
E-Mail: boteco@boteco.it - sales@boteco.it  
administration@boteco.it - Home Page: www.boteco.it

AUTHORISED RESELLER

